



## Modular Cooking Range Line thermaline 80 - Electric Warming Plate Top, 1 Side

ITEM # \_\_\_\_\_

MODEL # \_\_\_\_\_

NAME # \_\_\_\_\_

SIS # \_\_\_\_\_

AIA # \_\_\_\_\_



588096 (MARBAAJOB0) Electric Warming Plate, 1-sided operated, 2/1 GN

### Main Features

- THERMODUL connection system creates a seamless work top when units are connected to each other thus avoiding soil penetrating vital components and facilitating the removal of units in case of replacement or service.
- Metal knobs with embedded hygienic "soft-touch" grip for easier handling and cleaning. The special design of the controls prevents infiltration of liquids or soil into vital components.
- Fast deployment with full heating power immediately.
- The smooth glass-ceramic surface can be quickly and easily cleaned, thus providing maximum hygiene.
- Almost the entire surface of the ceramic plate can be used without "dead" spots.
- Pans can easily be moved from one area to another without lifting.
- All major components may be easily accessed from the front.
- Overheat protection via a temperature sensor that switches off part of the heating element in the event of over temperature. Temperature range from 30°C to 110°C.

### Construction

- 2 mm top in 1.4301 (AISI 304).
- Unit constructed according to DIN 18860\_2 with 20 mm drop nose top and 70 mm recessed plinth.
- Flat surface construction with minimal hidden areas to easily clean all surfaces
- Internal frame for heavy duty sturdiness in 1.4301 (AISI 304).
- Unit constructed according to DIN 18860\_2 with 20 mm drop nose top.
- IPX5 water resistance certification.

### Optional Accessories

- Scraper for cook tops PNC 910601
- Connecting rail kit, 800mm PNC 912500
- Portioning shelf, 1000mm width PNC 912528
- Connecting rail kit: modular 80 PNC 912971   
(on the left) to ProThermetic tilting  
(on the right), ProThermetic  
stationary (on the left) to  
ProThermetic (on the right)
- Connecting rail kit: modular 80 PNC 912972   
(on the right) to ProThermetic  
tilting (on the left), ProThermetic  
stationary (on the right) to  
ProThermetic (on the left)
- Endrail kit, flush-fitting, left PNC 913109
- Endrail kit, flush-fitting, right PNC 913110
- Endrail kit (12.5mm) for thermaline PNC 913200   
80 units, left
- Endrail kit (12.5mm) for thermaline PNC 913201   
80 units, right
- Insert profile D=800mm PNC 913230

APPROVAL: \_\_\_\_\_





**Electrolux**  
PROFESSIONAL

## Modular Cooking Range Line thermaline 80 - Electric Warming Plate Top, 1 Side

- Endrail kit, (12.5mm), for back-to-back installation, left PNC 913249
- Endrail kit, (12.5mm), for back-to-back installation, right PNC 913250
- Endrail kit, flush-fitting, for back-to-back installation, left PNC 913253
- Endrail kit, flush-fitting, for back-to-back installation, right PNC 913254
- Filter W=1000mm PNC 913666

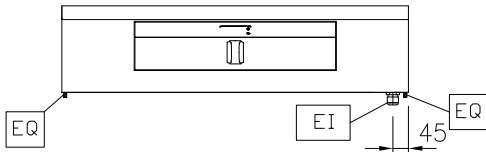


Modular Cooking Range Line  
thermaline 80 - Electric Warming Plate Top, 1 Side

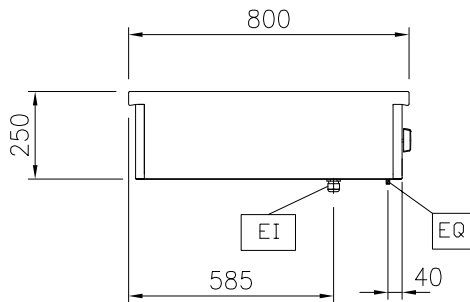
The company reserves the right to make modifications to the products without prior notice. All information correct at time of printing.

2026.05.12

Front

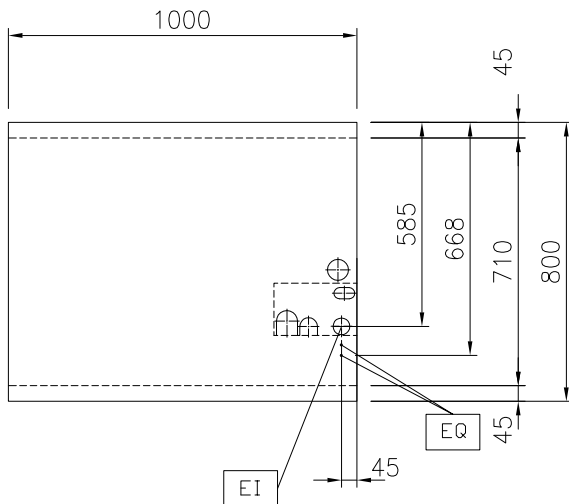


Side



EI = Electrical inlet (power)  
 EQ = Equipotential screw

Top



## Electric

Supply voltage: 230 V/1N ph/50/60 Hz  
 Total Watts: 0.95 kW

## Key Information:

External dimensions, Width: 1000 mm  
 External dimensions, Depth: 800 mm  
 External dimensions, Height: 250 mm  
 Net weight: 38 kg  
 Configuration: One-Side Operated;Top  
 Front Plates Power: 0 - 0 kW  
 Front Plates dimensions:

## Sustainability

Current consumption: 4.13 Amps